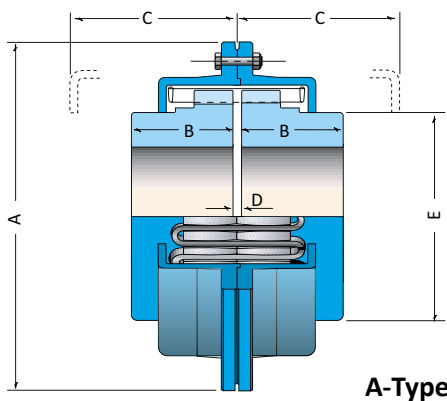
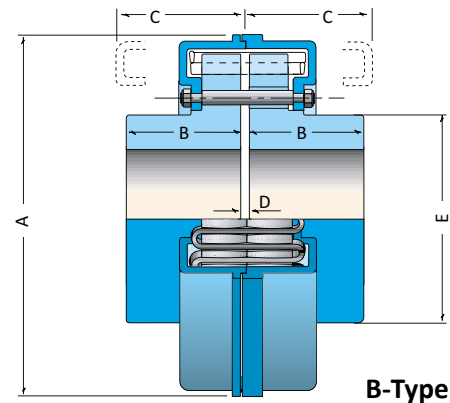


A-Type and B-Type Resilient Grid Couplings



A-Type



B-Type

- Vertically split covers
- For use on horizontal shafts only

Coupling Size	Coupling Rating		Dimensions in mm					Min Bore	① Max Bore	Max Speed rpm	Coupling Weight (Solid Hubs) kg	MR ² (Solid Hubs) kgm ²
	kW/rpm	Nm	A	B	C	D	E					
A-Type												
110	0.0067	64	121	38	55	0.8	55	12	40	3900	4.1	0.0058
120	0.015	143	135	45	65	0.8	60	15	42	3500	4.75	0.0068
124	0.026	248	160	50	65	0.8	85	15	60	3360	8.18	0.016
130	0.044	420	175	50	85	0.8	84	15	60	3130	9.9	0.024
136	0.052	497	185	57	85	0.8	95	15	68	2900	12.4	0.034
152	0.082	783	210	64	85	0.8	115	25	82	2430	18.27	0.063
158	0.11	1050	240	70	85	0.8	140	25	100	2090	26.13	0.144
168	0.14	1338	265	90	85	0.8	160	25	115	1860	40.26	0.209
212	0.3	2867	280	102	132	1.5	153	38	110	1765	50.9	0.309
236	0.39	3726	310	102	152	1.5	185	50	135	1560	71.2	0.562
266	0.6	5733	325	102	152	1.5	180	50	130	1500	76.85	0.677
290	0.82	7835	360	115	152	1.5	220	50	160	1290	107.0	1.142
318	1.1	10510	425	127	152	1.5	250	50	180	1130	151.2	2.114
B-Type												
432	2.3	21976	432	140	180	3.2	236	75	170	1145	196.8	3.68
478	3.0	28665	492	152	180	3.2	260	75	185	1015	261.0	6.03

- Maximum bores stated are for rectangular parallel keyways to BS4235 Part 1 1972 or DIN6885 Sheet 1 – 1968. Taper or square keys should not be used with a boss to bore ratio of less than 1.5.
- Refer to Couplings International Ltd for limited end float or special designs.
- All dimensions are subject to confirmation.
- Sizes 432 and 478 can accommodate speeds higher than those shown.

Both A-Type and B-Type couplings with higher ratings are frequently supplied. Please consult Couplings International Ltd if you have such a requirement.

Couplings International Ltd

Unit 3, Pepper Road, Hunslet, Leeds LS10 2RX

Tel Line 1: +44 (0) 1522 688 088 Mobile: +44 (0) 7752 182 402

Email: sales@couplingsinternational.co.uk Web: www.couplingsinternational.co.uk