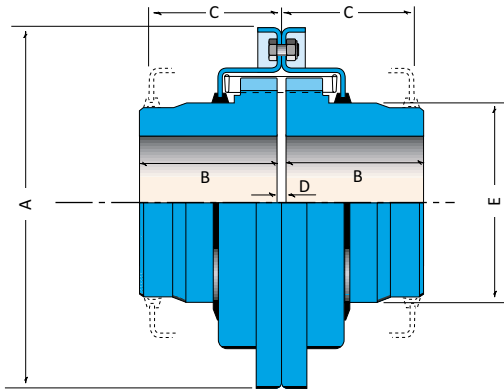
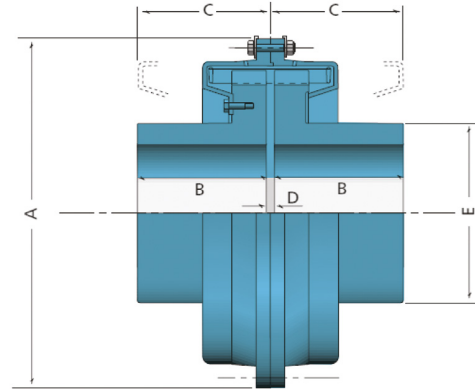


54 Series Grid Couplings

Sizes 5411 to 5430



Sizes 5431 to 5443



Coupling Size	Coupling Rating kW/rpm	Coupling Rating Nm	Dimensions in mm					Min Bore	Max Bore ①	Max Speed rpm ②	Coupling Weight (Solid Hubs) kg	MR ² (Solid Hubs) kgm ²
			A	B	C	D	E					
5411	0.005	48	100	50	50	1	36	10	25	6,000	1.53	0.001
5413	0.014	135	120	50	50	1	56	10	40	5,500	2.95	0.003
5415	0.024	230	145	50	50	1	80	10	56	5,000	5.29	0.007
5417	0.067	640	175	75	75	1	89	16	63	4,500	1066	0.020
5419	0.104	990	195	75	75	1	110	25	78	4,250	15.17	0.037
5421	0.187	1,790	230	90	75	1	143	25	102	3,750	27.76	0.092
5423	0.485	4,630	260	120	120	1.5	139	38	100	3,500	40.6	0.182
5425	0.746	7,120	305	120	120	1.5	184	50	130	3,250	63.7	0.433
5427	1.08	10,300	360	130	120	1.5	238	50	170	2,750	108.9	1.07
5429	2.24	21,400	425	140	150	2.5	293	75	210	2,400	195	2.45
5430	3.80	36,300	425	175	150	2.5	293	75	210	2,400	232	2.85
5431	5.4	51.6	530	200	196	3	265	105	190	1,450	287	5.99
5433	7.1	67.8	590	215	218	3	300	105	215	1,300	385	10.12
5435	9.8	93.6	640	240	228	3	330	130	235	1,200	510	15.46
5437	13.1	125	680	260	228	3	370	130	265	1,100	662	22.77
5439	17.8	170	780	280	248	3	415	155	295	980	906	40.52
5441	23.7	226	870	305	302	6	455	155	325	860	1,282	75.93
5443	32.0	306	1,010	325	302	6	580	175	415	740	1,970	157.14

Grid resilient couplings consist of two steel shaft hubs, a high strength spring steel grid element, two seals and a cover assembly. Misalignment and end float are accommodated by the sliding action of the grid in the lubricated hub grooves.

Features

- Allows uniform contact during light, normal and shock load loading.
- Lengthens machine life.
- Constructed from tempered spring steel for long life.
- All metal construction having no fast wearing components.
- Tortionally flexible.
- Transmit full torque with dampened vibration and deduced peak load.
- Accommodates angular, parrallel and axial misalignment.
- High ratings.
- Versatile design and interchangeability.
- Easy assembly and maintenance.
- Very low downtime.
- Long service life.

Couplings International Ltd

Unit 3, Pepper Road, Hunslet, Leeds LS10 2RX

Tel Line 1: +44 (0) 1522 688 088 Mobile: +44 (0) 7752 182 402

Email: sales@couplingsinternational.co.uk Web: www.couplingsinternational.co.uk